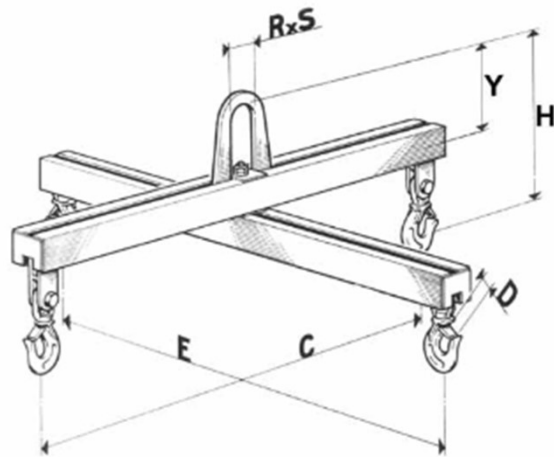


Double lifting beam PSD



- **Adjustable spread on request**
- **Safety coefficient 6**
- **Special models and capacity (force) on request**

SWL kg	Spreads C & E mm	R mm	S mm	H mm	D mm	Mass kg	SAPEM code
1 000	1 000	170	120	490	17	70	539A
	1 500					90	539B
2 000	1 000	170	120	580	22	85	539C
	1 500			620		120	539D
	2 000			150		539E	
3 000	1 000	215	150	665	28	105	539F
	1 500			705		140	539G
	2 000					210	539H
	3 000			785		330	539J
4 000	1 000	215	150	710	24	150	539K
5 000	1 000	215	150	795	28	190	539L
	1 500			835		220	539M
	2 000			875		310	539N
	3 000			970		390	539P

Note: Equipment meeting the essential requirements of European Directive 2006/42/CE and Standard NF EN 13155. Supplied with "CE" certificate of conformity.