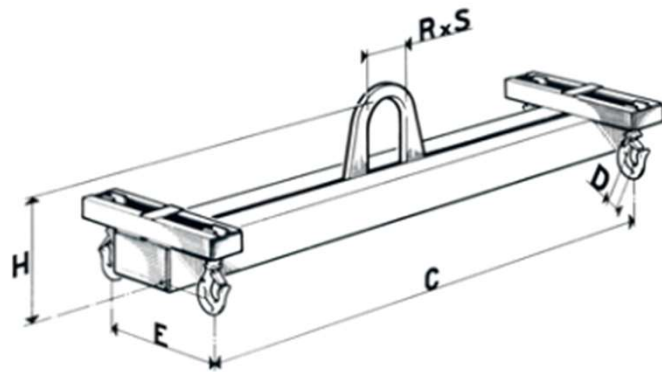


# Fixed lifting beam CDMA



- Double central beam making a box
- Safety coefficient 6
- Special models and capacity (force) on request

SWL kg	Spreads C x E mm	R mm	S mm	H mm	D	Mass kg	SAPEM code
1 000	1 000 x 260	215	150	480	22	35	534A
	1 500 x 260			500		55	534B
2 000	1 000 x 300	215		520	22	55	534C
	1 500 x 300			540		75	534D
	2 000 x 300	290		610		100	534E
3 000	1 000 x 350	215		540	24	65	534F
	1 500 x 350	290		580		100	534G
	2 000 x 350			680		135	534H
	3 000 x 350	390		820		200	534J
4 000	1 000 x 350	215		610	26	75	534K
5 000	1 000 x 400		215	630	26	90	534L
	1 500 x 400	290		670		140	534M
	2 000 x 400		390	760		160	534N
	3 000 x 400	900		290		534P	

Note: Equipment meeting the essential requirements of European Directive 2006/42/CE and Standard NF EN 13155.  
Supplied with "CE" certificate of conformity.