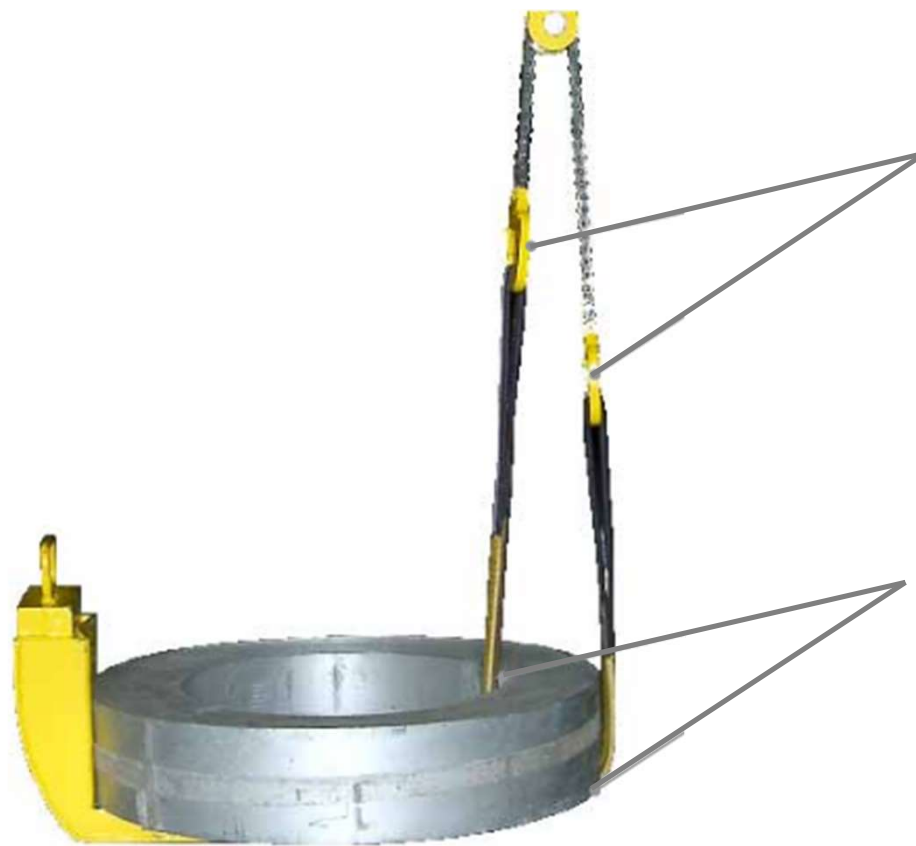


RSB system for coil tilting - textile sling

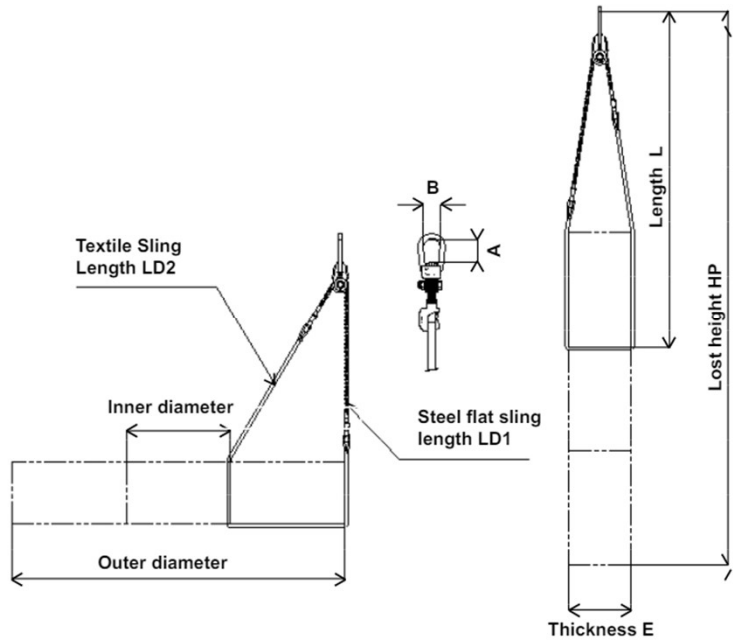


secured hooks connecting
textile sling and flat metallic
sling

PU sleeves to protect textile
sling from sharp edges of
metal sheet



- No relative displacement between coil
and sling : no wear of textile sling
- Textile sling : lighter for the operator



Safety coefficient: 6

Working load kg	A mm	B mm	Width of textile sling mm	Thickness of textile sling mm	LD1 mm	LD mm	L mm	Mass kg	SAPEM code with textile sling	SAPEM code without textile sling
1 000	110	80	30	20	1000	1000	1100	9	442A	443A
2 000	110	80	30	20	1250	1500	1500	11	442B	443B
3 000	110	80	60	20	1500	2000	1900	13	442C	443C

Use and restrictions of use according to instructions notes NI10062 et NI10006
 Equipment meeting the essential requirements of the European Directive 2006/42/CE Supplied with a "CE" declaration of conformity