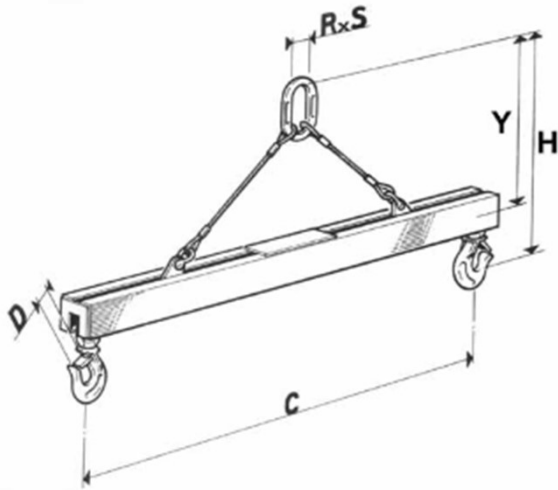


# Fixed semi-lifting beam SVS



- **Adjustable spread on request**
- **Safety coefficient 6**
- **Special models and capacity (force) on request**

SWL kg	Spread C mm	R mm	S mm	H mm	D mm	Mass kg	SAPEM code
1 000	1 000	140	70	900	17	30	522A
	1 500					35	522B
2 000	1 000	160	80	1 000	22	35	522C
	1 500					50	522D
	2 000					75	522E
3 000	1 000	190	95	1 300	24	65	522F
	1 500					85	522G
	2 000					110	522H
	3 000					180	522J
4 000	1 000	200	100	1 400	28	90	522K
5 000	1 000	210	105	1 450	36	120	522L
	1 500					140	522M
	2 000					160	522N
	3 000					200	522P

*Note: Equipment meeting the essential requirements of European Directive 2006/42/CE and Standard NF EN 13155.  
Supplied with "CE" certificate of conformity.*