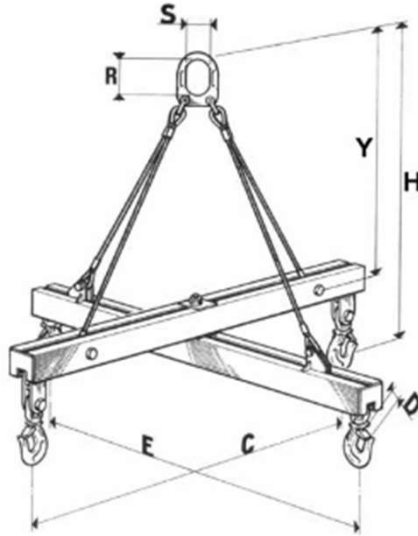


# Double semi-lifting beam RSP



- **Adjustable spreads on request**
- **Safety coefficient: 6**
- **Special models and capacity (force) on request.**

SWL kg	Spreads C & E mm	R mm	S mm	H mm	D mm	Mass kg	SAPEM code
1 000	1 000	105	70	700	17	55	1527A
	1 500			900		70	1527B
2 000	1 000	135	90	800	22	65	1527C
	1 500			1 100		90	1527D
	2 000			100		1527E	
3 000	1 000	150	100	900	24	80	1527F
	1 500			1 300		110	1527G
	2 000			1 800		160	1527H
	3 000			250		1527J	
4 000	1 000			1 100	24	120	1527K
5 000	1 000	158	105	1 150	28	150	1527L
	1 500			1 500		170	1527M
	2 000			2 000		235	1527N
	3 000			2 500		300	1527P

*Note: Equipment meeting the essential requirements of European Directive 2006/42/CE and Standard NF EN 13155. Supplied with "CE" certificate of conformity.*