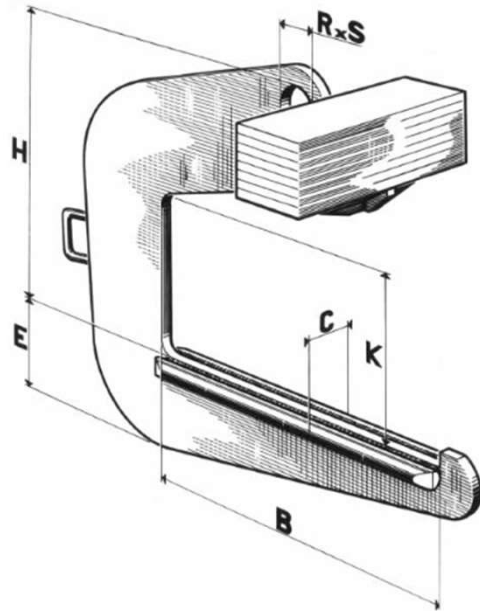


# Lifting C



- Safety coefficient: 6
- Special models and capacity (force) on request

SWL kg	B mm	C mm	E mm	H mm	K mm	R mm	S mm	Mass kg	SAPEM code
300	850	45	115	620	450	90	60	87	432A
600		54	135	630				123	432B
1 000		60	160	675		135	90	147	432C
1 500		75	175	685				205	432D
2 000	84	195	690	247	432E				
1 000	1 050	66	170	785	550	180	120	225	432F
1 500		75	195	805				286	432G
2 000		84	220	825				356	432H
3 000		90	230	850		450	520	376	432J
4 000		105	245	850				450	432K
5 000	105	275	875				520	432L	

Note: Equipment meeting the essential requirements of European Directive 2006/42/CE. Supplied with "CE" certificate of conformity.