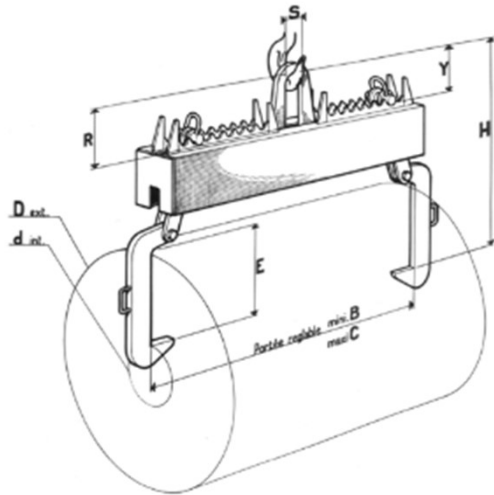


Adjustable lifting beam for coils



SWL kg	Spreads B / C mm	R x S mm	H mm	E mm	Mass kg	SAPEM code
5 000	650 / 1550	250 x 150	1 050	400	160	9096A
10 000	700 / 1850	250 x 150	1 200	500	320	9096B
15 000	700 / 2000	300 x 150	1 400	600	500	9096C
20 000	80 / 2000	400 x 200	1 650	700	700	9096D

- Double central beam making a box
- Spread adjustable stepwise
- Safety coefficient 6
- Special models and capacity (force) on request.

Note: Equipment meeting the essential requirements of European Directive 2006/42/CE and Standard NF EN 13155. Supplied with "CE" certificate of conformity.