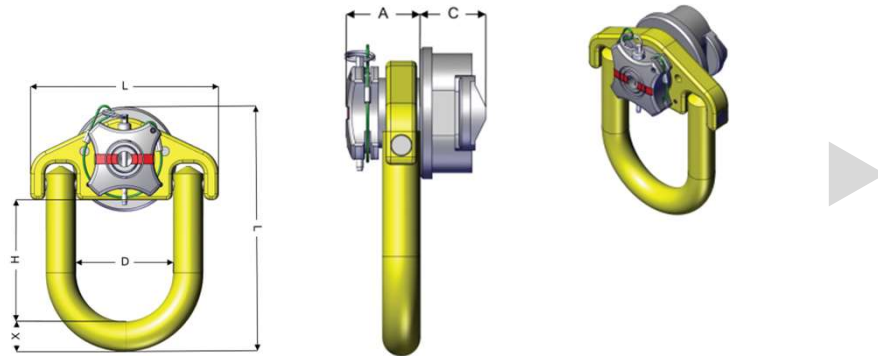


ISO corner secured lashing lug

Patented



- System rotation of 360° around the axis, ring rotation +/- 90°
- Secured for all load directions.
- Allows to meet road requirements
- For a lifting use : please contact us.

	Code Sapem	Code NATO	ISO corner type of hole	Capacity (kN)	Mass (kg)	Dimension (mm)						
						A	C	D	H	L	M	X
N°1	344C	4030-14-5686578	Oval	120	3,3	56	35	80	100	201,5	155	25
N°2	345C	4030-14-5686579	Pear	120	3,3	56	38	80	100	201,5	155	25

Note: Matériel conforme aux exigences du guide DGA TA N°27S=CAT, STANAG 3548, Directive européenne 2006/42/CE fournis avec la déclaration de conformité CE