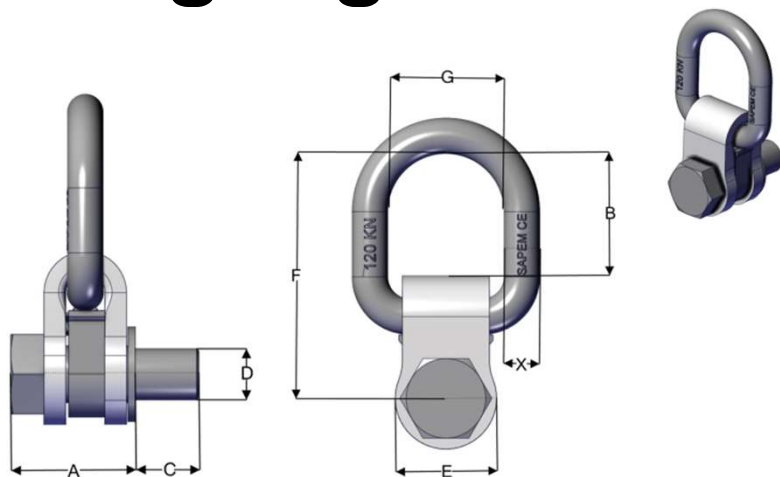


Lashing lugs ARB

Patented



- Meets STANAG 3548
- With stainless steel spring (patented) to maintain in position.
- 360 degrees rotation around the axis of the screw.
- Withstands nominal load without permanent deformation, regardless of the orientation of the lashing force.
- Certified resilience at -40°C

	Code Sapem	Capacity (kN)	Mass (kg)	Dimension (mm)							
				A	B	C	D (ISO)	E	F	G	X
N°2	343B	50	3.5	76	70	38.5	M30	70	140	65	20
N°3	343C	120	6	86	85	44	M36	70	170	80	25